

# DAYTONA

LINE

---



# FEATURES

- All steel base & backrest assembly
- Powder-coated baked finish
- Hydraulic base & back
- Adjustable backrest speed
- Adjustable base down speed
- 1 programmable pre-position
- Automatic return
- Foot control
- Side chair touch pads
- Swivel armrests
- Double articulating headrest
- 60° horizontal swivel base
- Floor grip rubber lining

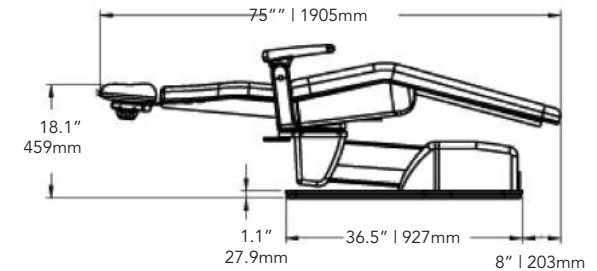


# INSIDE SUMMIT DENTAL SYSTEMS

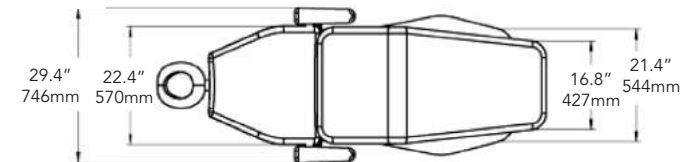
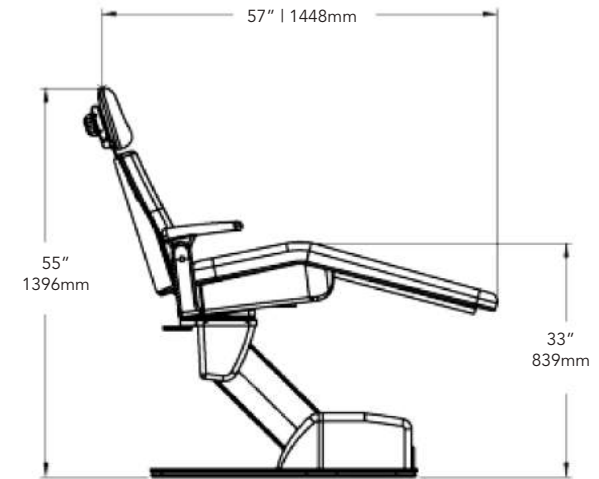
Since its founding in 1986, Summit Dental Systems (SDS) has been an internationally recognized manufacturer of high quality, durable dental equipment. Made in Pompano Beach, Florida, the SDS line of chairs provides the user with proven functionality, dependable mechanics, and undeniable value.

Constructed with steel, the Daytona Chair is designed to last a lifetime. With a quiet and smooth hydraulic operation, the chair is comfortable, easy-to-use and virtually maintenance free. Providing innovative solutions to any dental practice is our goal. We aim to sustain consistent quality in our dental equipment, and we stand by our mission by providing an industry leading five (5) year warranty.

The satisfaction of our customers is paramount, which is why our dedicated customer service team and highly skilled technical service department provide our customers with the support they need from their dental equipment manufacturer.



Max Load Capacity  
600lbs | 272kg



# DAYTONA POST MOUNTED PACKAGE

The sleek styling and finely detailed specifications make the Daytona Chair a true front-runner in the industry.

Tailored to fit the needs of any practice, the Daytona Chair provides flexibility in its accessory and instrumentation options allowing the user to determine the appropriate setup for their practice.

Without sacrificing quality or dependability, the Daytona Chair is designed to give a practice the innovations of tomorrow at a price the user can afford today.



\* Shown with optional  
WS-11 Water Bottle System

- A** Daytona Chair
- B** 1340MD Light
- C** 1407 3HP Automatic Delivery System
- D** 1607 Cuspidor w/ SE & HVE
- E** Standard Doctor's Stool (shown w/ Swing Mounted Package)
- F** Standard Assistant's Stool (shown w/ Swing Mounted Package)
- G** Water Quick Disconnect

## DAYTONA LEFT/RIGHT SWING MOUNTED PACKAGE



Pictured here is the Daytona Left/Right Swing Mounted Package which allows the operator to position the equipment on either side of the chair, providing more flexibility to the operator.

- A** Daytona Chair w/ Swing Bracket
- B** 1340MD Swing Mounted Light
- C** 1407 3HP Automatic Swing Mounted Delivery Unit
- D** 1617 Rear Swing Mounted Assistant's Arm (shown with optional syringe)
- E** Standard Doctor's Stool
- F** Standard Assistant's Stool

## DAYTONA POST MOUNTED PACKAGE W/ ASSISTANT'S ARM



### OPTIONAL FEATURES

*It's Your Choice* – Additional instrumentation options include: left/right swing cuspidor, pinch type headrest, post mounted assistant's arm (shown above), WS-11 water bottle system (shown above), and unit mounted chair control pad.

1660 Swing Mounted Cuspidor w/ SE, HVE and Syringe



Pinch Type Headrest



Unit Mounted Chair Control Pad



DAYTONA

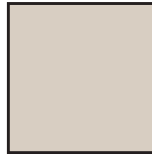


## *Standard Vinyl Color Chart*

The colors and products in this brochure may vary from the actual materials. Ultraleather and custom vinyl upholstery is available for an additional charge. Please see your authorized SDS dealer for accurate color samples and the most current product information.



Taupe



Bone



Cobalt



Wedgewood



Dusty Jade



Feather



Black



Desert Rose



800.275.3368 | Tel: 954.730.3636 | Fax: 954.730.3602

1280 SW 27th Avenue | Pompano Beach, FL 33069

[www.summitdental.com](http://www.summitdental.com)