

8700DY Daytona Orthodontic Chair

The newly upgraded 8700DY dental chair is built for durability, constructed with a steel base and back and a reinforced steel seat frame. With a quiet and smooth hydraulic operation, the chair is comfortable, easy to use, and virtually maintenance-free.



FEATURES:

- Hydraulic Power Base and Back
- 60° Swivel Seat Base
- Mobile Foot Control
- Auto-exit and Last Position
- Four Programmable Pre-positions
- Double Articulating Headrest
- Equipped with WI-FI and USB for easy remote diagnostics



CUSTOMIZE YOUR PACKAGE!

Optional Package Shown:

- 8700DY Ortho Chair
- 900 Elite Mobile Ortho Cabinet
- Standard Doctor Stool



8700DY with Viulux LED II Light

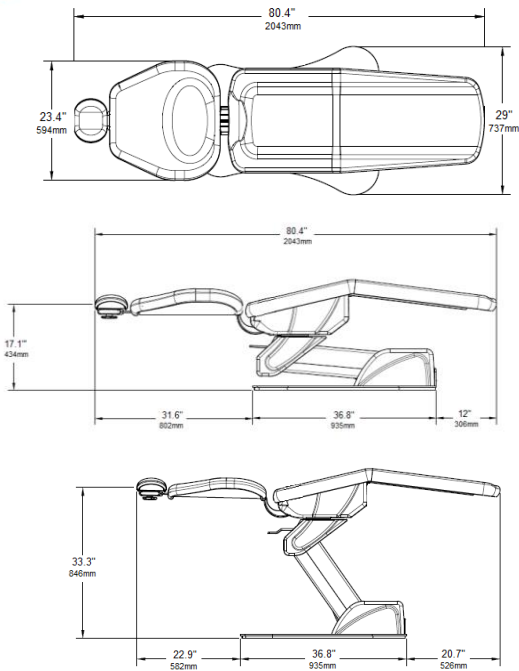
Viulux LED II lights can be mounted to the chair, ceiling, wall, or 900 Fixed Base Cabinets



800.275.3368 | Tel: 954.730.3636 | Fax 954.730.3602
1280 SW 27th Ave | Pompano Beach, FL 33069
www.summitdental.com



8700DY Daytona Orthodontic Chair



**Simple Operation for
Ideal Positioning**
60° Swivel Base and Mobile Foot Control



Thin/Narrow Back
Ultimate Patient Comfort and
Ergonomic Operator Access



SIMPLY A BETTER VALUE

SDS equipment is available at the right price to allow doctors to focus on **technology** and *design*

Standard Vinyl Colors



Ultraleather Colors

